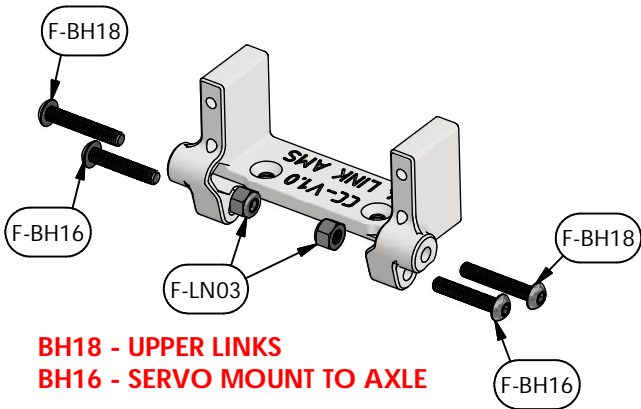
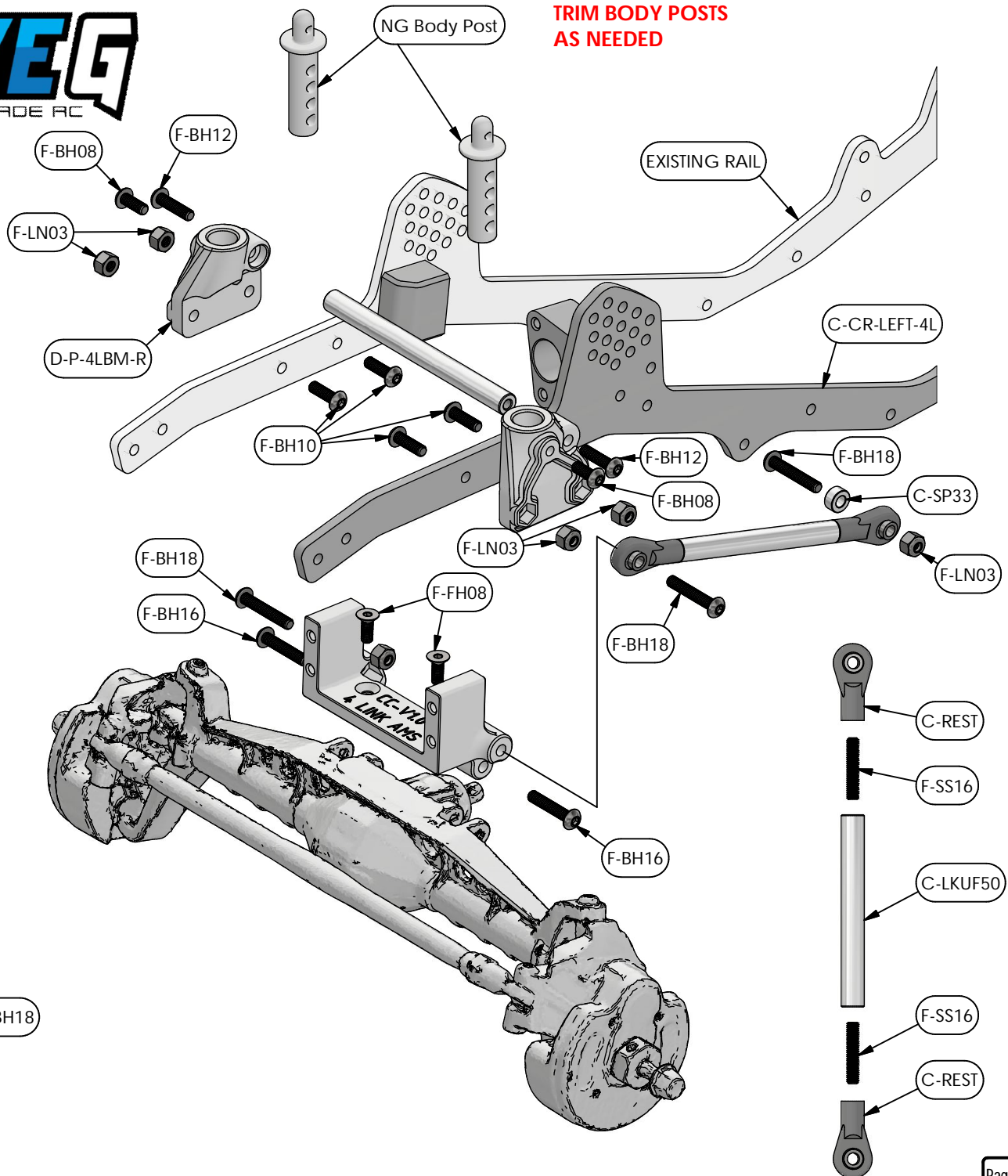


**TRIM BODY POSTS
AS NEEDED**

PARTS LIST

QTY	PART NUMBER	DESCRIPTION
2	NG Body Post	
2	F-SS16	M3x16mm Set Screw
7	F-LN03	3mm Locknut
2	F-FH08	M3x8mm Flat Head
3	F-BH18	M3x18mm Button Head
2	F-BH16	M3x16mm Button Head
2	F-BH12	M3x12mm Button Head
4	F-BH10	M3x10mm Button Head
2	F-BH08	M3x8mm Button Head
1	D-P-4L-MPM	CC Motor Plate Mount 4 Link
1	D-P-4LBM-R	CC 4 Link Body Mount RIGHT
1	D-P-4LBM-L	CC 4 Link Body Mount LEFT
1	D-P-4L-BC	CC Bearing Case 4 Link
1	D-P-4L-AMS	CC 4 Link Servo Mount
1	C-SP70	M3x70mm Chassis Spacer
1	C-SP33	3x3 Spacer
2	C-REST	Rod End Straight
1	C-LKUF50	M3x50mm Upper Front Link
1	C-CR-LEFT-4L	CC Carbon Rail Left 4 LINK



**BH18 - UPPER LINKS
BH16 - SERVO MOUNT TO AXLE**

