



This **CC-V1.5 LCG Class 2 chassis system** is designed specifically for the **313mm/12.3"** wheelbase **Capra platform**.

Kit features:

- **\*NEW\*** All plastic parts are printed with **ultra lightweight high-tech polymer PA12 Nylon** using **SLS technology**
- Divorced primary drive with a compact and lightweight **Generation 2** transfer case
- Stainless Steel primary drive and transfer case shafts
- Stainless Steel screws, nuts and miscellaneous hardware
- Genuine **Vanquish Incision** 52t 32p spur gear included
- Excellent weight distribution, low center of gravity
- Improved suspension geometry with built in anti squat and a low instant center
- Steel prop shaft with brass pivot balls
- Your choice of 2 skid plates: Standard for 540/550 motors and Extended for shorter outrunner style motors up to 40mm in length
- 3mm Carbon Fiber matte twill weave frame rails with integrated shock mounts
- 3mm Carbon Fiber matte twill weave motor mount plate
- Lay down servo mount
- 12.3" approximate wheelbase
- For optimum performance a **full droop setup front and rear is recommended**. Just add your axles, links, driveshafts, shocks and electronics package and hit the rocks!

**Required parts not included:**

- Axial Capra Axles, suspensions links, drive shafts and shocks
- Traxxas 3931 3x8 flanged screws or equivalent
- Traxxas 8115 body mount kit
- Electronics package
- Wheels/tires
- Body

**! CAUTION !**

**DO NOT OVERTIGHTEN SCREWS INTO 3D PRINTED PARTS. POWERED SCREWDRIVERS GENERATE HEAT WHEN INSTALLING SCREWS. IF YOU ARE USING A POWERED SCREWDRIVER, INSTALL TO 75% DEPTH AND LET THE PLASTIC COOL OFF. HAND TIGHTEN TO 100%.**

**STRIPPED HOLES ARE NOT COVERED UNDER WARRANTY!**

**Please read this entire instruction book prior to assembly**



F-BH30 - (4)  
M3x30mm Button Head



F-BH25 - (5)  
M3x25mm Button Head



F-BH20 - (2)  
M3x20mm Button Head



F-BH18 - (6)  
M3x18mm Button Head



F-BH16 - (4)  
M3x16mm Button Head



F-BH12 - (13)  
M3x12mm Button Head



F-BH10 - (21)  
M3x10mm Button Head



F-BH08 - (2)  
M3x8mm Button Head



F-BH06 - (5)  
M3x6mm Button Head



F-FH08 - (2)  
M3x8mm Flat Head



F-SS20 - (2)  
M4x20 Set Screw



F-FW04 - (1)  
4mm Flat Washer



F-LN03 - (1)  
3mm Locknut



F-LN04 - (1)  
M4mm Lock Nut



F-EC04 - (3)  
4mm E Clip



D-DP10 - (2)  
2.5mm x 10mm Dowel Pin



C-SP33 - (1)  
3x3 Spacer



D-SP55 - (1)  
5x5 Spacer



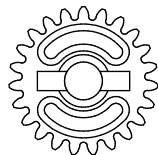
D-B5114 - (5)  
5x11x4 Bearing



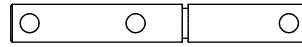
D-B5104-F - (1)  
5x10x4 Bearing Flanged



D-B4104-F - (1)  
4x10x4 Bearing Flanged



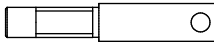
D-TCBG - (1)  
Transfer Case Bottom Gear



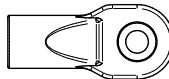
D-TCBS - (1)  
Transfer Case Bottom Shaft



D-TS - (1)  
Transmission Shaft



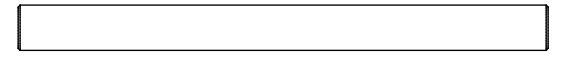
D-TCTS - (1)  
Transfer Case Top Shaft



C-RRES - (12)  
4mm Rod End



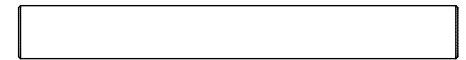
D-TCTG - (1)  
Transfer Case Top Gear



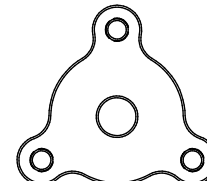
C-SP70 - (2)  
M3x70mm Chassis Spacer



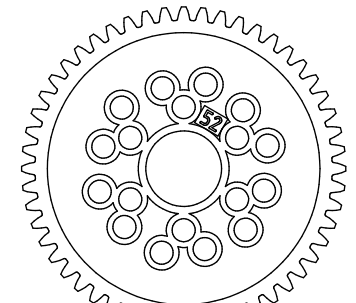
NG-UFLK - (1)  
Upper Front Link



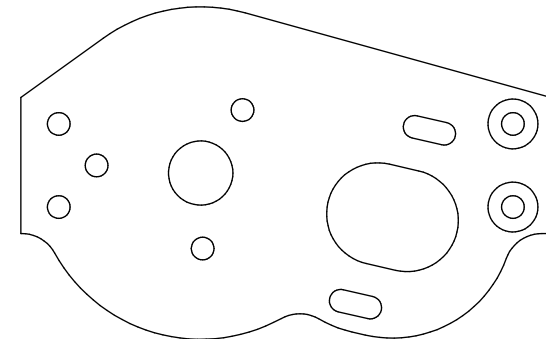
C-LKPB58 - (1)  
M4x58mm Panhard Link



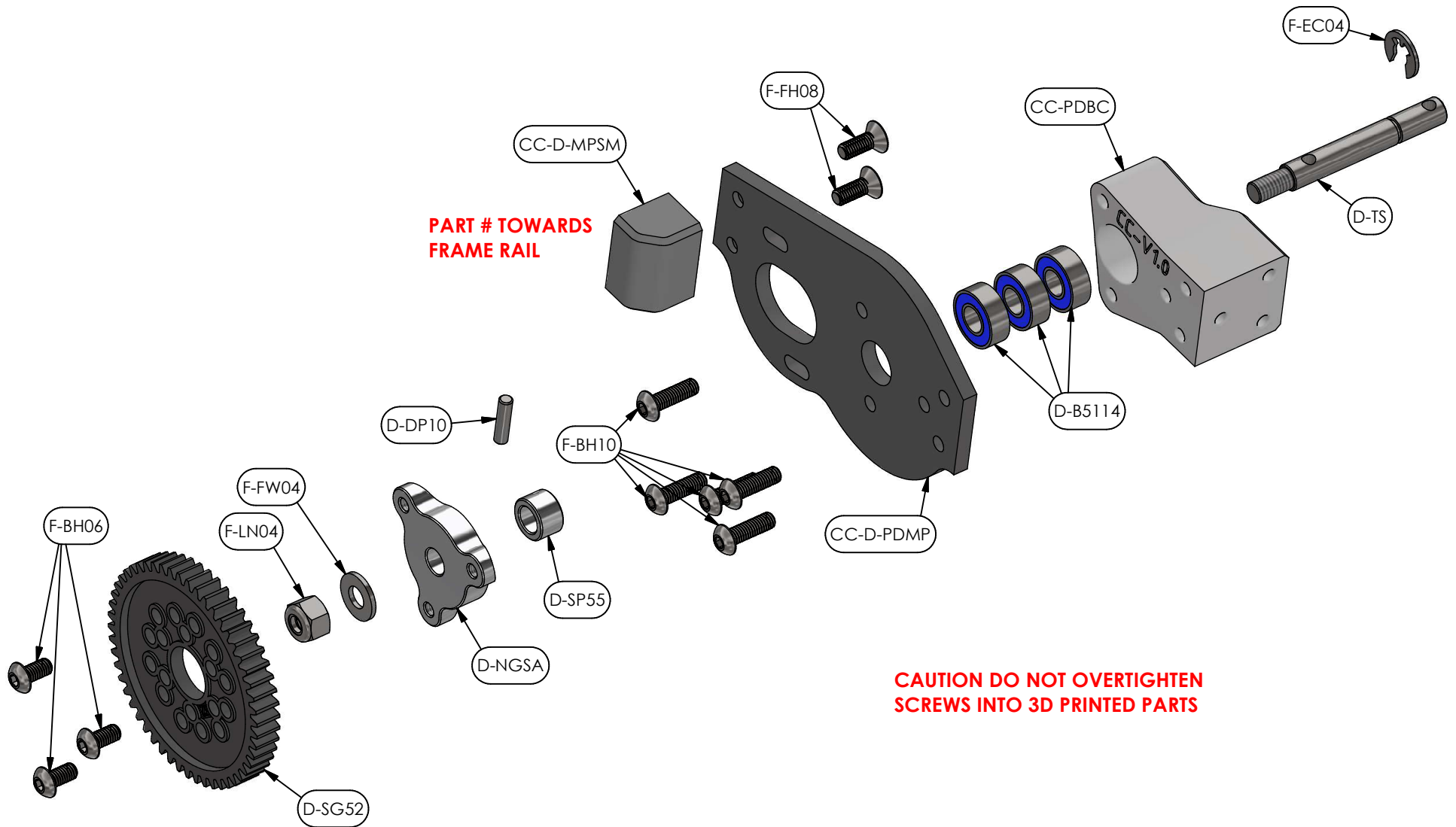
D-NGSA - (1)  
Spur Adapter v2

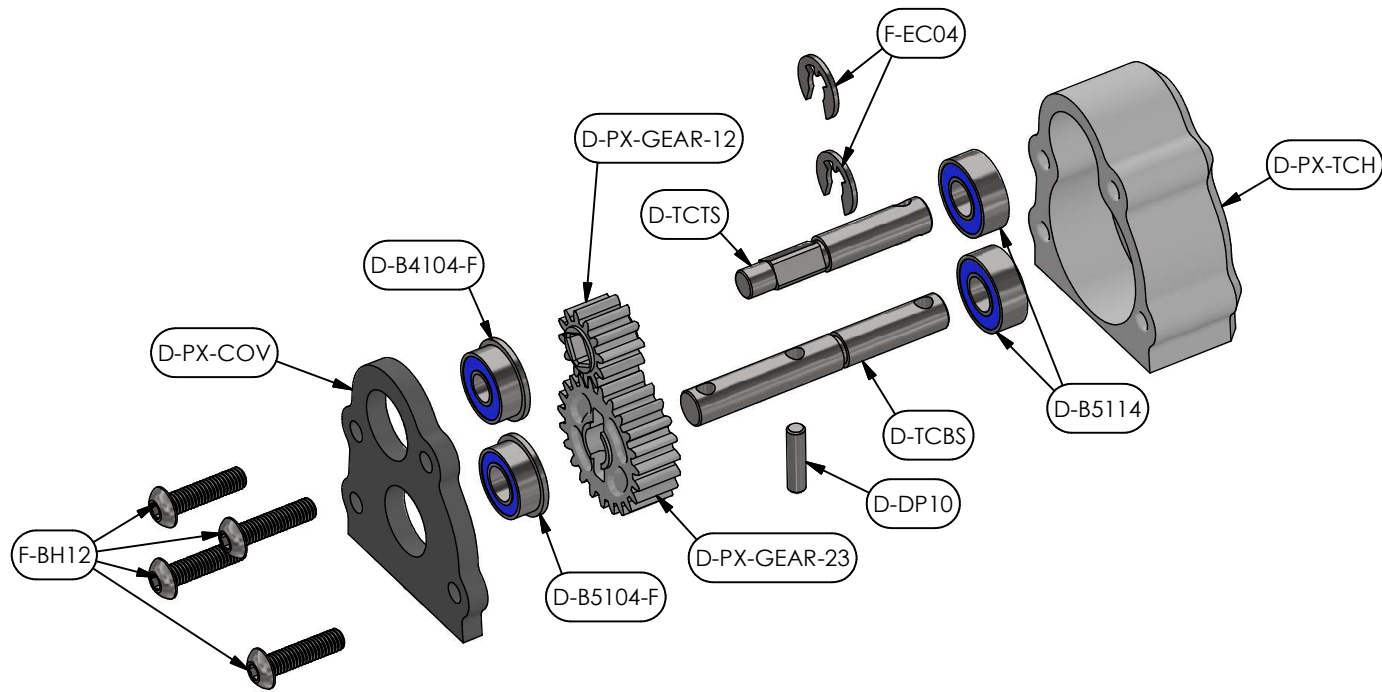


D-SG52 - (1)  
Incision 52t Spur



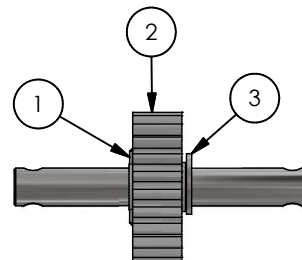
CC-D-PDMP - (1)  
CC MOTOR PLATE





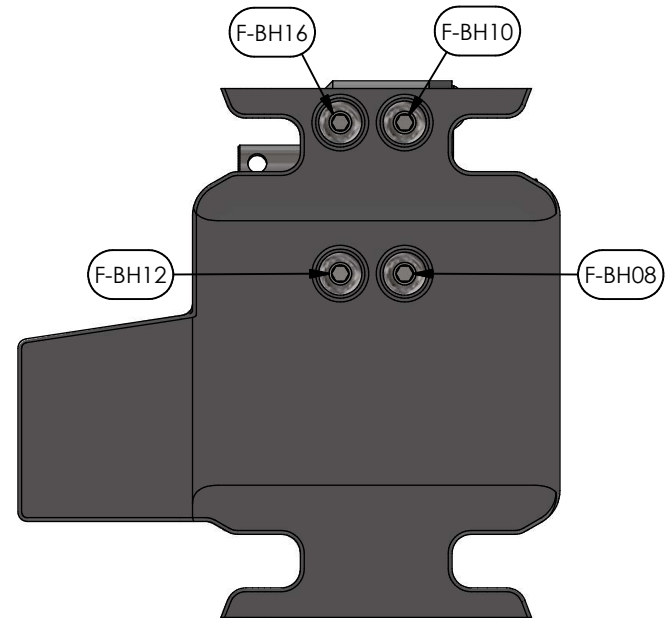
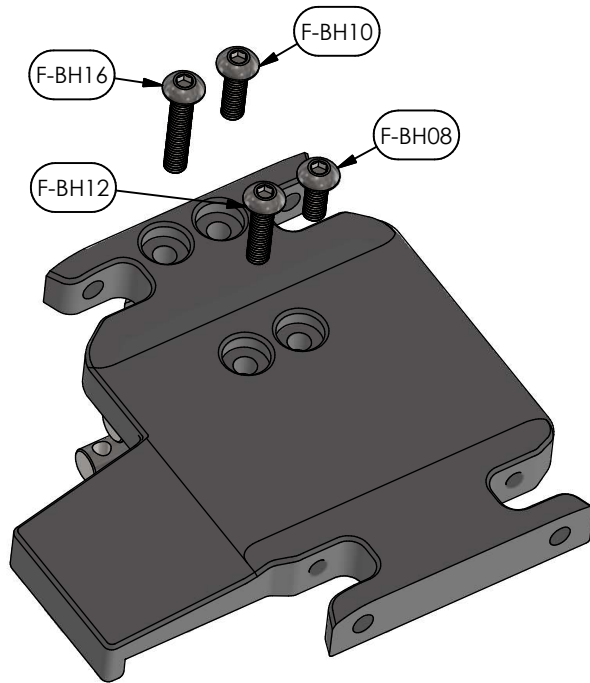
**CAUTION DO NOT OVERTIGHTEN  
SCREWS INTO 3D PRINTED PARTS**

**MINIMAL GREASE REQUIRED**



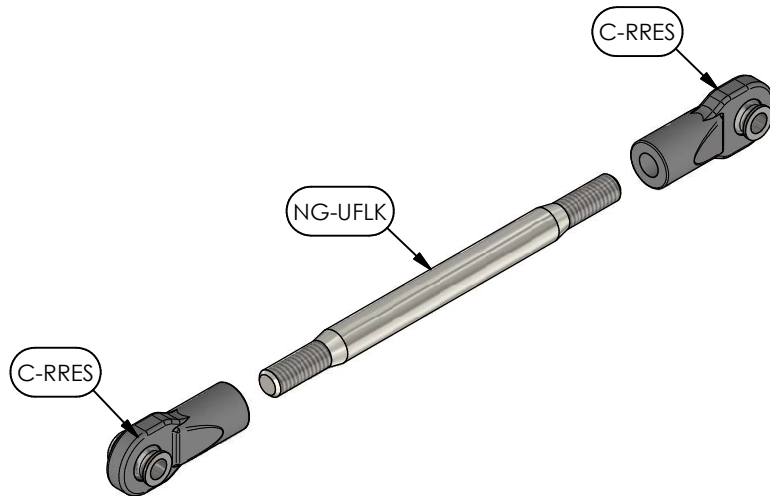
**BOTTOM SHAFT ASSEMBLY ORDER:**

1. CROSS PIN
2. GEAR
3. E-CLIP

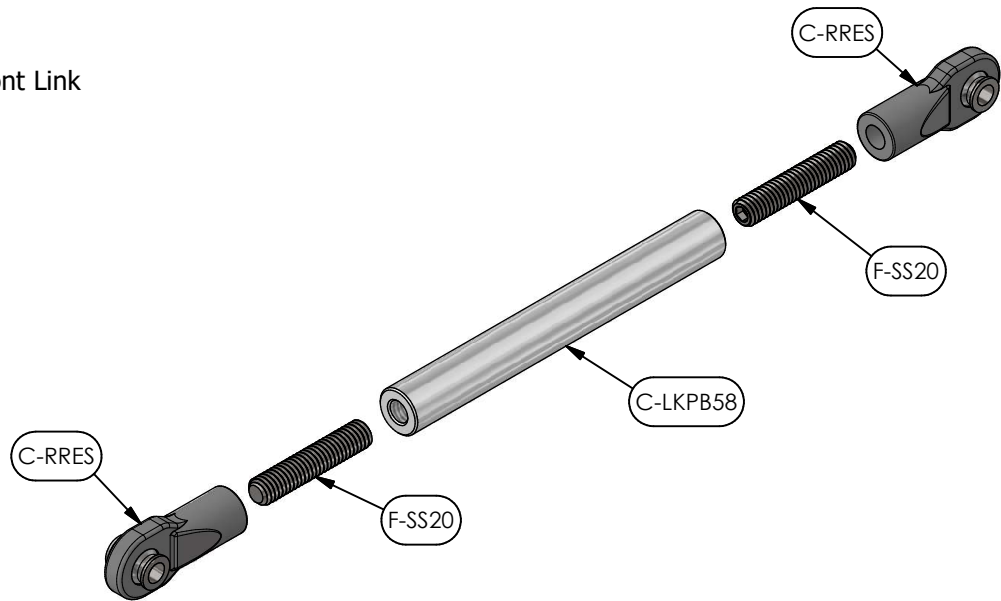
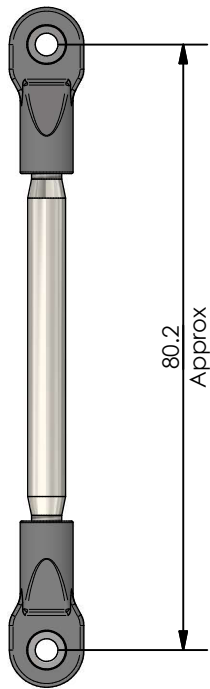


**PLEASE NOTE LOCATION AND LENGTH OF SCREWS.  
DAMAGE MAY OCCUR IF INSTALLED IMPROPERLY**

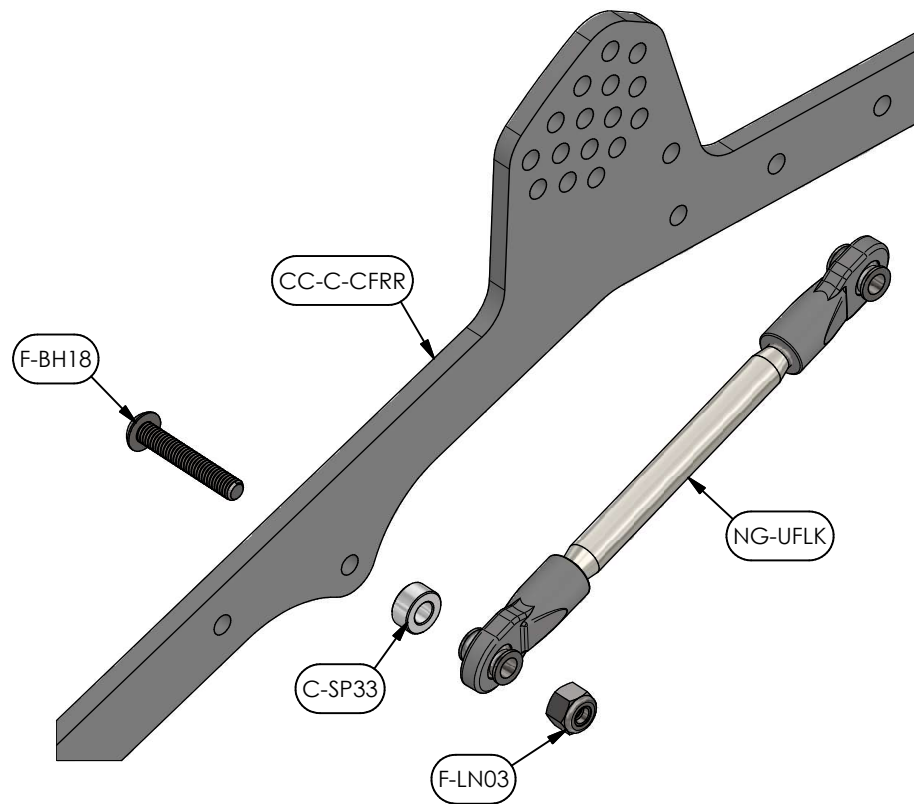
**CAUTION DO NOT OVERTIGHTEN  
SCREWS INTO 3D PRINTED PARTS**



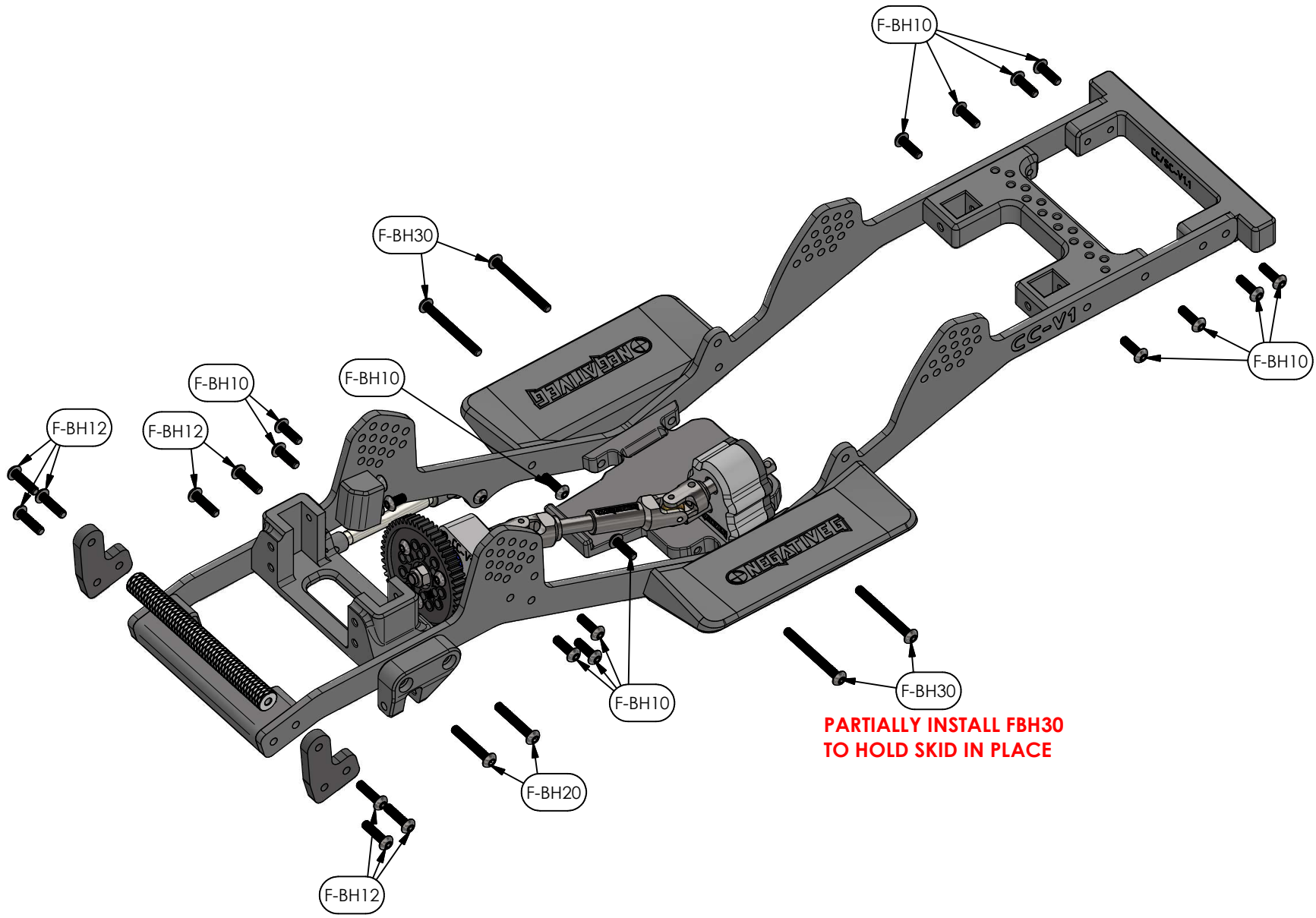
Upper Front Link



Panhard Bar



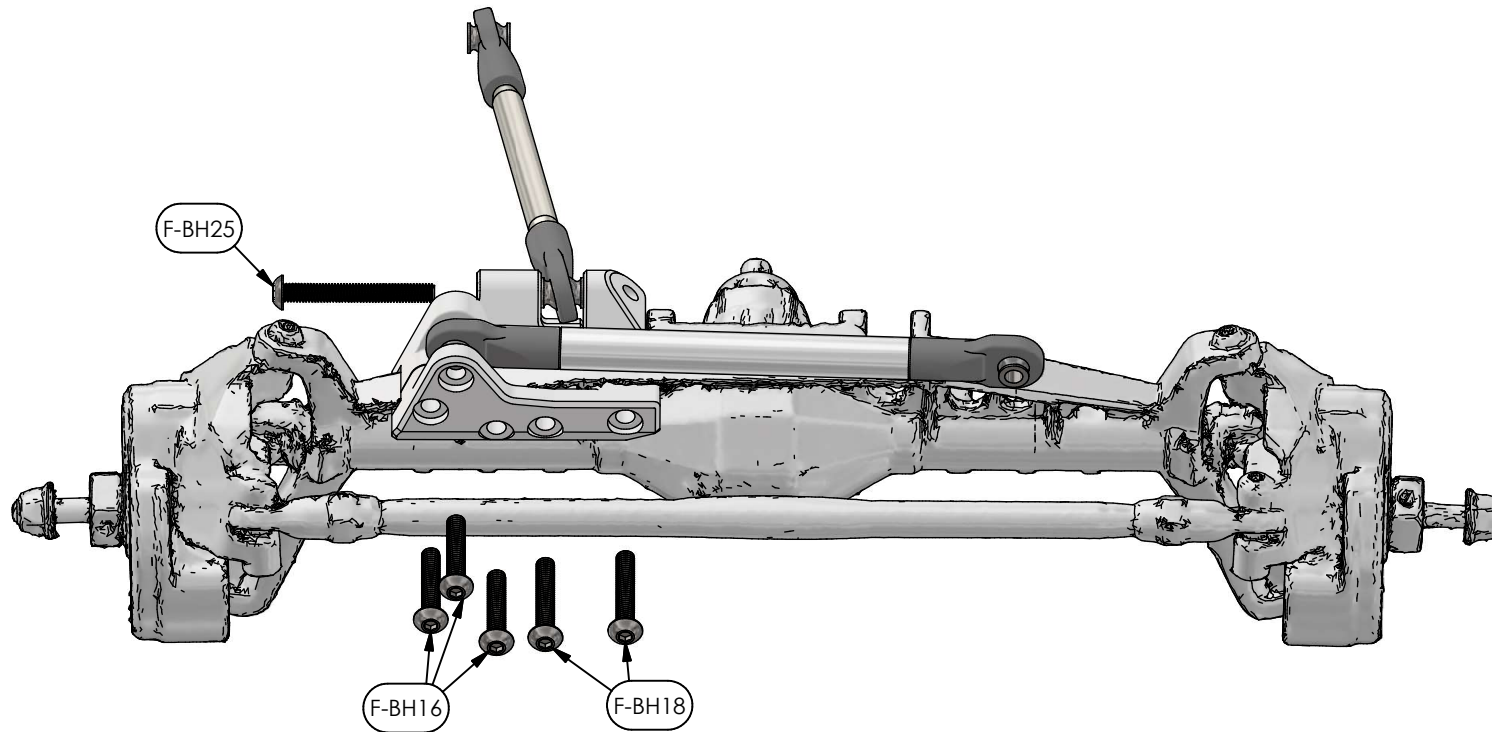
**INSTALL TO OUTSIDE OF RAIL**



**PARTIALLY INSTALL FBH30 TO HOLD SKID IN PLACE**

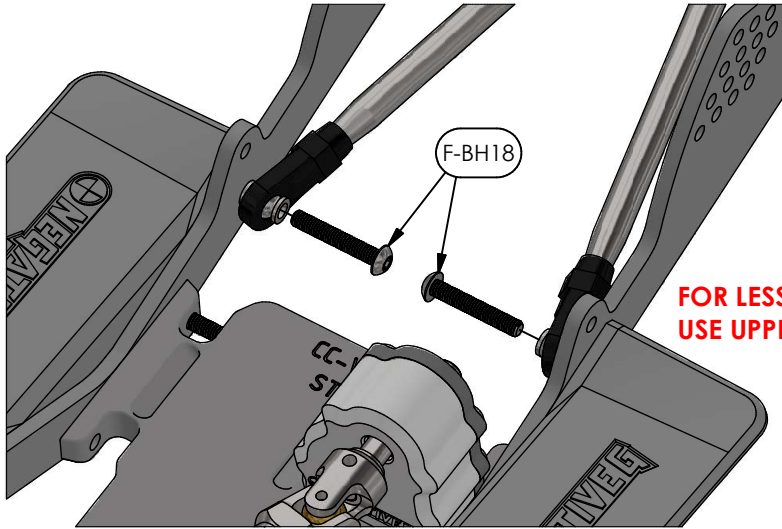
**CAUTION DO NOT OVERTIGHTEN SCREWS INTO 3D PRINTED PARTS**





**CAUTION DO NOT OVER TIGHTEN  
SCREWS INTO 3D PRINTED PARTS**

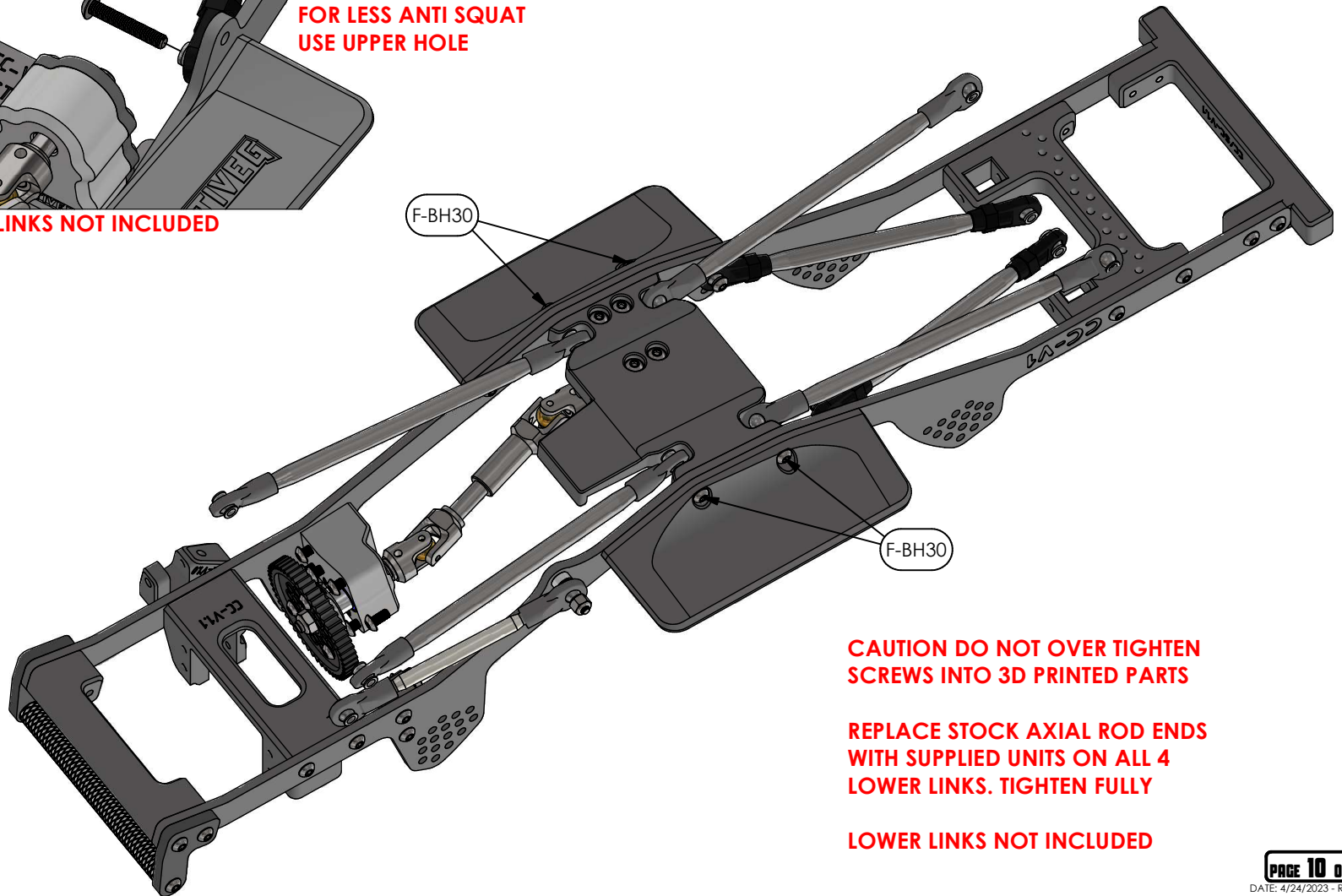
**INSTALL PANHARD BRACKET PARTS  
FIRST, THEN PANHARD AND UPPER  
FRONT LINK**



F-BH18

**FOR LESS ANTI SQUAT  
USE UPPER HOLE**

**UPPER REAR LINKS NOT INCLUDED**



F-BH30

F-BH30

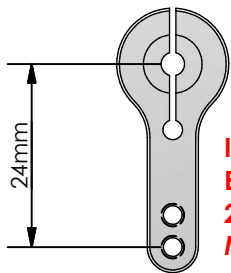
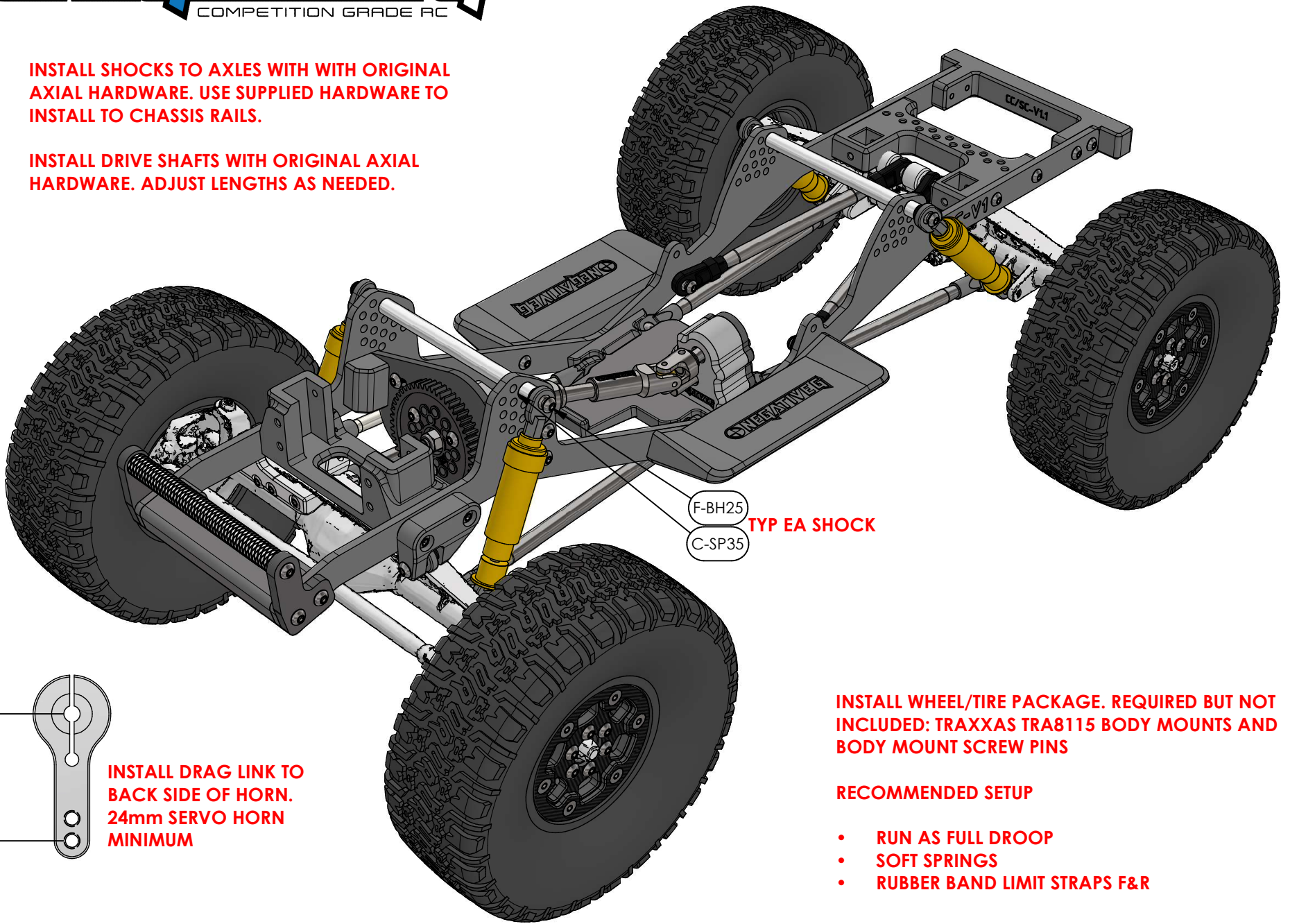
**CAUTION DO NOT OVER TIGHTEN  
SCREWS INTO 3D PRINTED PARTS**

**REPLACE STOCK AXIAL ROD ENDS  
WITH SUPPLIED UNITS ON ALL 4  
LOWER LINKS. TIGHTEN FULLY**

**LOWER LINKS NOT INCLUDED**

**INSTALL SHOCKS TO AXLES WITH ORIGINAL AXIAL HARDWARE. USE SUPPLIED HARDWARE TO INSTALL TO CHASSIS RAILS.**

**INSTALL DRIVE SHAFTS WITH ORIGINAL AXIAL HARDWARE. ADJUST LENGTHS AS NEEDED.**



**INSTALL DRAG LINK TO BACK SIDE OF HORN. 24mm SERVO HORN MINIMUM**

F-BH25  
C-SP35  
**TYP EA SHOCK**

**INSTALL WHEEL/TIRE PACKAGE. REQUIRED BUT NOT INCLUDED: TRAXXAS TRA8115 BODY MOUNTS AND BODY MOUNT SCREW PINS**

**RECOMMENDED SETUP**

- **RUN AS FULL DROOP**
- **SOFT SPRINGS**
- **RUBBER BAND LIMIT STRAPS F&R**